

STATIC DIMENSIONS

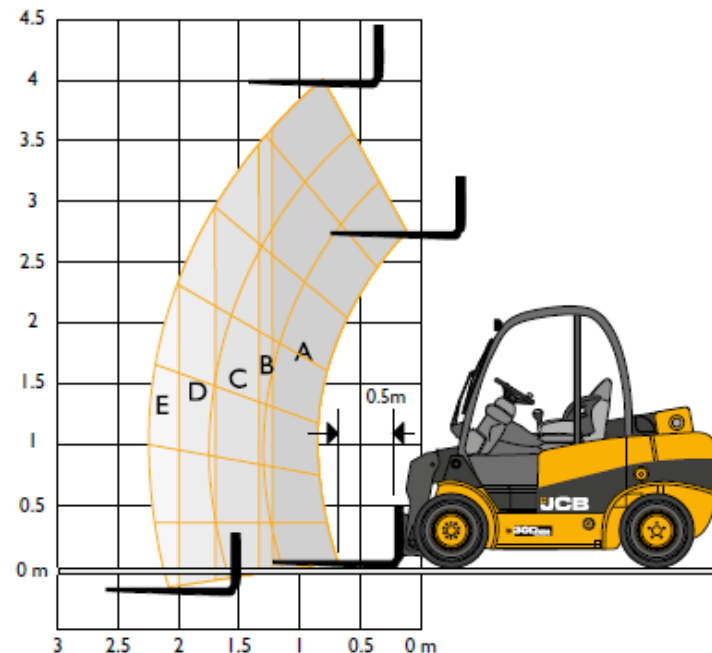
MODEL	30G 4WD
Logistics	
Construction	x
Waste	x
Agri	x
A Lift height mm	4000
B Free lift (standard) mm	1350
C Height (boom extended) mm	4805
D Height of overhead guard (standard/low) mm	2300/2200
E Height of operators seat mm	1221
F Length to fork face mm	2840
G Wheelbase mm	1780
H Distance from c/l of front axle to fork face mm	515
J Distance from c/l of front axle to fork face (full height) mm	715
K Load centre mm	500
L Lift capacities (with sideload) kg	3000
M Ground clearance (lowest point) mm	165
N Ground clearance (wheelbase centre) mm	192
O Fork carriage width mm	1200
P Maximum width of machine mm	1400
Q Carriage tilt total degrees	111

*Low option only available on construction and waste models

GENERAL SPECIFICATION

Engine manufacturer	KUBOTA
Tier compliant	EPA2/Stage V
Engine model	WG2503
Engine output (gross power)	43
Cubic capacity	2491
Rated RPM	2400
Number of cylinders	4
Working pressure attachments	170
Oil flow for attachments (standard / high)	28 / 70
Maximum reach ground level (500mm load centre) mm	2230
Maximum reach boom horizontal (500mm load centre) mm	2390
Turning radius mm	2995
Aisle width 90 stacking 800x1200/1000x1200	4510 / 4710
Weight unladen	5100
Travel speed (standard)	20
Gradeability (unladen)	28
Transmission	HYDROSTATIC
Park break type	HAND
Shovel rated capacity	0.6
Shovel struck capacity	0.5
Shovel dump height (30)	2550
Shovel rollback angle at ground	33
Shovel width	1385
Tyres PPS (Semi solid) P (Pneumatic)	PPS / P
Tyre size front (standard)	27x10x12
Tyre size rear (standard)	27x10x12
Diesel tank capacity	n/a

LIFT CAPACITIES – TLT30 4X4



Capacity bands

TLT30 4x4

A	3000 kg
B	2750 kg
C	2500 kg
D	2000 kg
E	1500 kg

@ 2 metres

2000 kg